

85: Rear seat, passenger seat, seat

XC90, 2007, D5244T4, TF-80SC AWD, L.H.D, YV1CM714671338226, 338226

12/1/2013



PRINT

85: Rear seat, passenger seat, seat

Seat frame (third row), replacement

Note! Some variation in the illustrations may occur, but the essential information is always correct.

Preparatory work

Disconnect the battery negative lead. See: Battery, disconnecting .
Fold down the seats in the second row.
Slide in the seat cushions on the third row.

Removal

Remove:

- the rear cargo compartment floor
- the jack
- the battery bracket

Note! Leave the plastic cover over the battery in place to avoid any short-circuits.

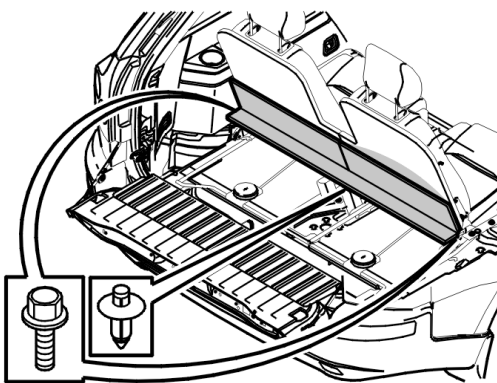
Remove:

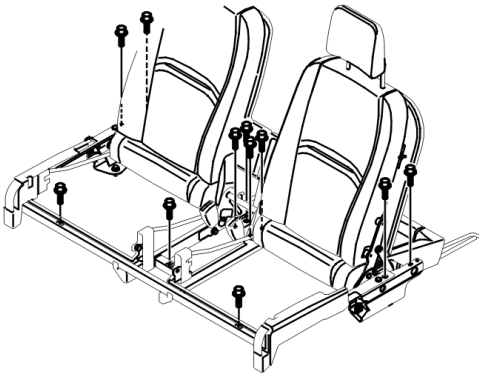
- the holder for the jack
- the side panel in the cargo compartment. See Side panel cargo compartment, replacement
- the front cargo compartment floor.

Remove:

- the 3 front screws for the frame.

Fold up the rubber mat in the centre storage compartment.

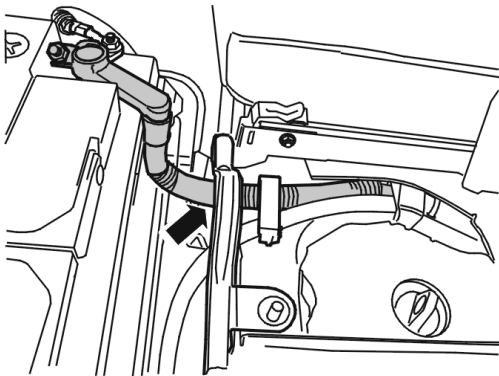




Remove:

- the 4 x center screws for the frame
- the outer screws for the frame, 2 each side.

Pull the seat cushions forwards. Remove the cargo floor support. See Cargo floor support, replacing .



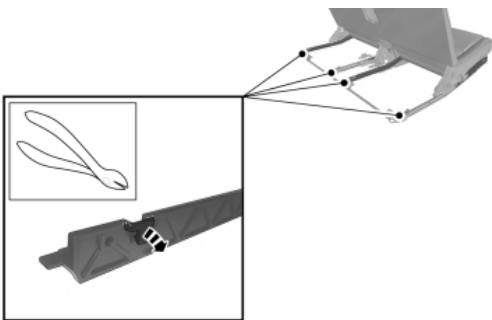
Note how the battery lead is routed by the seat frame. Slide in the seat cushions and fold down the seat backs.

Note! Two people are required for this operation. Angle the seat frame during removal.

Lift out the seat frame.

Installation

Modify when replacing seat track.



Note! For tightening torques, see: Tightening torque .

Lift in the seat frame.

Note! Ensure that the battery cable is not trapped.

Fold up the seat backs.

Install:

- the 3 M10 front screws for the frame. Tighten
- the 4 M10 centre screws for the frame
- the 4 M10 outer screws for the frame
- the cargo floor support. See Cargo floor support, replacing .

Fold down the backrests.

Install:

- the front cargo compartment floor with 2 M6 screws and 1 clip. Tighten
- the side panel in the cargo compartment. See Side panel cargo compartment, replacement
- the holder for the jack
- the jack
- the battery bracket using 3 x M8 screws
- the rear cargo compartment floor.

PRINT

12/1/2013