

46: Final drive, D5244T4, TF-80SC AWD

XC90, 2007, D5244T4, TF-80SC AWD, L.H.D, YV1CM714671338226, 338226

19/6/2018




PRINT

**46: Final drive, D5244T4, TF-80SC AWD**

**Operation number:**  
46514-2

**Differential  
inputshaft Seal**

**Note! Some variation  
in the illustrations  
may occur, but the  
essential information  
is always correct.**

| <b>Special tools</b>   |  |
|--|--|
|  <p style="text-align: center;"><b>VOLVO</b><br/><b>9997023</b></p>   | <p><b>T9997023 PULLER<br/>PINION SEAL HALDEX<br/>CLUTCH</b><br/> <b>Tool number:</b> T9997023<br/> <b>Tool description:</b><br/>                     PULLER PINION SEAL<br/>                     HALDEX CLUTCH<br/> <b>Tool boards:</b> EU14-<br/>                     2/1;SV14-2/1;US14-2/1</p> |
|  <p style="text-align: center;"><b>VOLVO</b><br/><b>9997024</b></p> | <p><b>T9997024 DRIFT<br/>PINION SEAL HALDEX<br/>CLUTCH</b><br/> <b>Tool number:</b> T9997024<br/> <b>Tool description:</b> DRIFT<br/>                     PINION SEAL HALDEX<br/>                     CLUTCH<br/> <b>Tool boards:</b> EU14-<br/>                     2/1;SV14-2/1;US14-2/1</p>   |

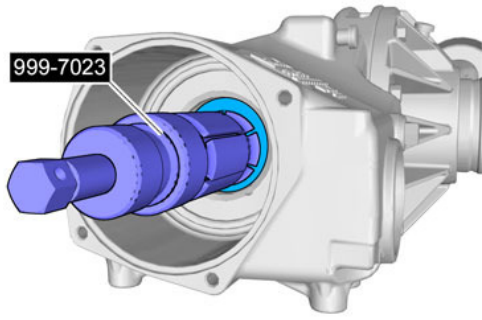
**Removal**

**Note! Removal steps  
in this procedure may  
contain installation  
details.**

Remove the four-wheel  
drive clutch.

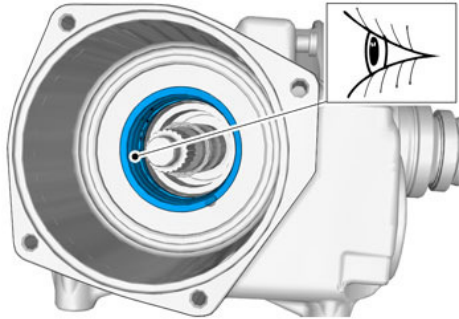
Refer to: Clutch four-  
wheel drive

Special Tool: 999 7023

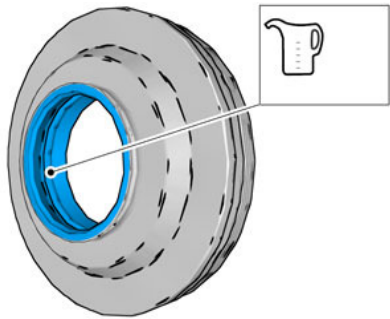


**Warning!** Be prepared to collect escaping fluid.

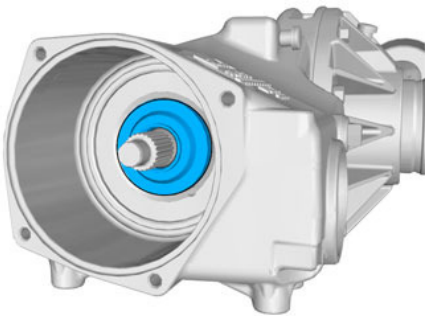
### Installation



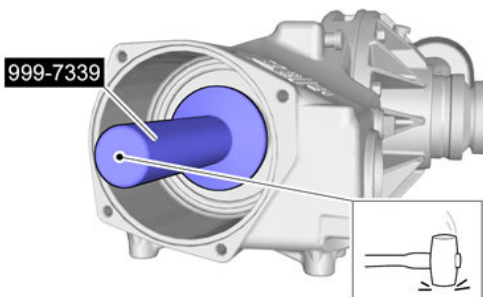
**Caution!** Make sure that the surface is clean and free of foreign material.



**Use:** Rear axle oil, 1161620



Special Tool: 999 7339



Fill and check the oil  
level in the final drive.

Refer to:

**19/6/2018**

**PRINT**